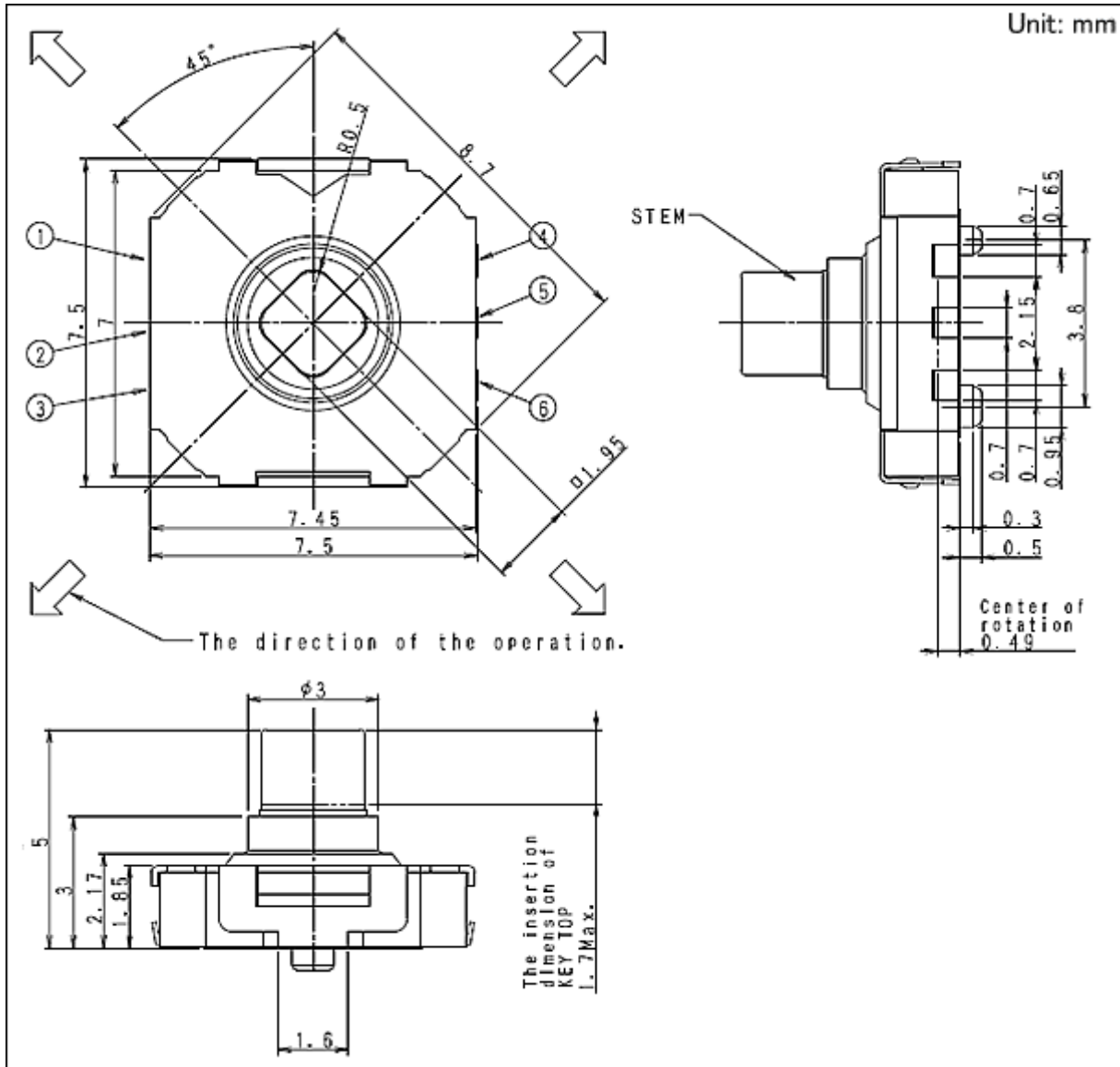




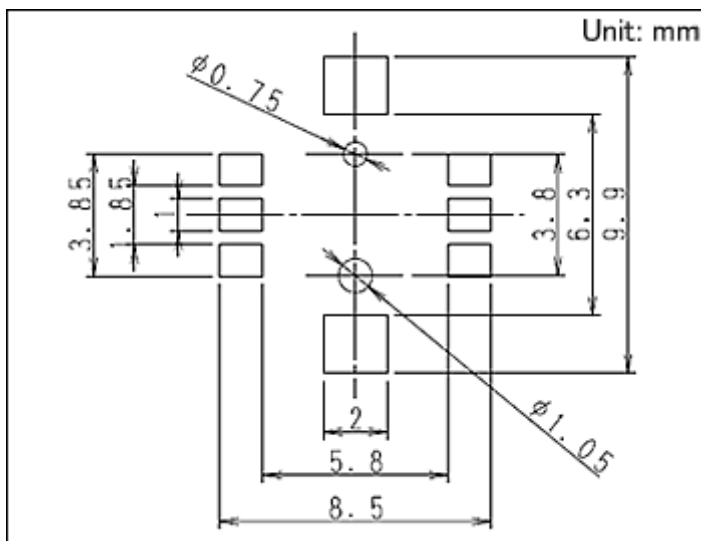
## 4-direction Type with Center-push Function (Surface Mount) SKRH Series

Part number	<b>SKRHADE010</b>		
Type	Surface mount		
Operating force	4-direction	1.2N	
	Center push	2.35N	
Travel	4-direction	0.25mm	
	Center push	0.15mm	
Operating life (5mA 5V DC)	1,000,000 cycles for each direction		
Initial contact resistance	100mΩ max.		
Stem color	Natural		
Guide bosses	With		
Operating temperature range	-40°C to +85°C		
Ratings (max.)/(min.) (Resistive load)	50mA 12V DC/10μA 1V DC		
Electrical performance	Directional resolution	4-direction	
	Insulation resistance	100MΩ min. 100V DC	
	Voltage proof	100V AC for 1 minute	
Mechanical performance	Directional operating force	1.2±0.69N	
	Push operating force	2.35±0.69N	
	Actuator strength	Operating direction	29.4N
Durability	Operating life	Center push	1,000,000 cycles
Environmental performance	Cold	-40±2°C for 96h	
	Dry heat	90±2°C for 96h	
	Damp heat	60±2°C, 90 to 95%RH for 96h	

Dimensions

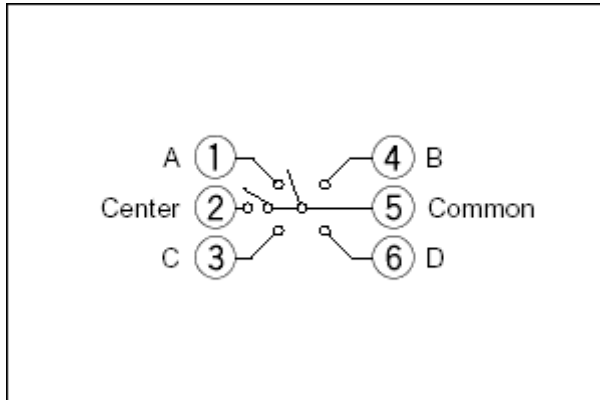


Land Dimensions



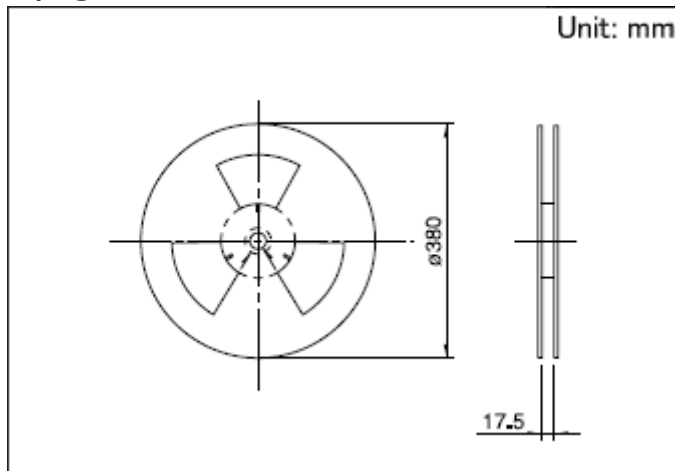
Viewed from mounting face

## Circuit Diagram



## Packing Specifications

### Taping



Number of packages 1 reel (pcs.)	1,300
1 case / Japan	10,400
1 case / export packing	10,400
Tape width (mm)	16
Export package measurements (mm)	401×401×214

## Soldering Condition

### Example of Reflow Soldering Condition

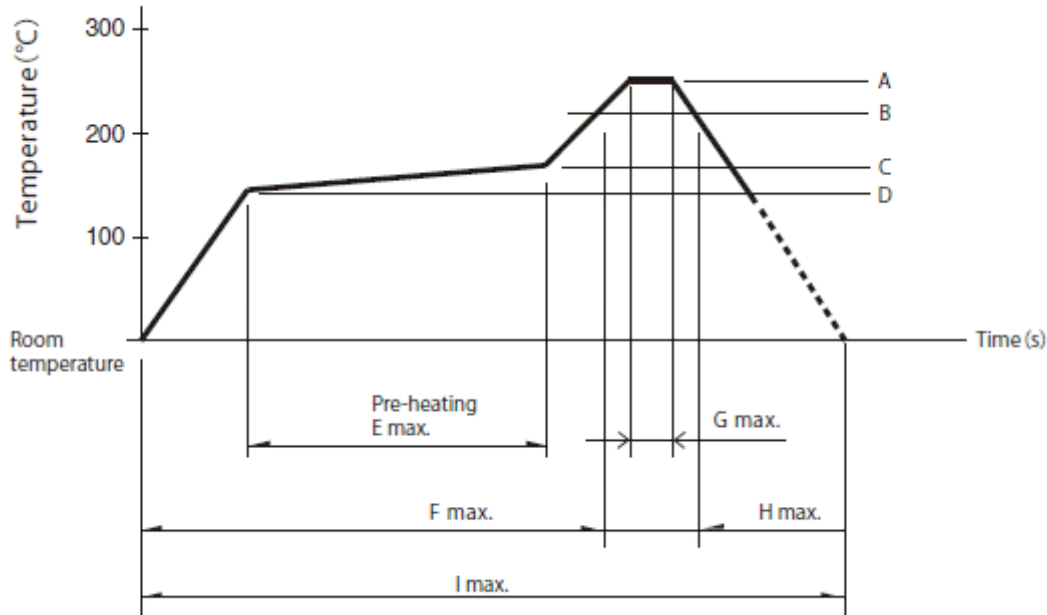
#### 1. Heating method:

Double heating method with infrared heater.

#### 2. Temperature measurement:

Thermocouple 0.1 to 0.2  $\Phi$  CA (K) or CC (T) at solder joints (copper foil surface). A heat resisting tape should be used to fix thermocouple.

#### 3. Temperature profile



A	B	C	D	E	F	G	H	I	No. of reflows
260°C	230°C	180°C	150°C	2 min.	-	-	40s	-	1 time

(1) The condition mentioned above is the temperature on the mounting surface of a PC board. There are cases where the PC board's temperature greatly differs from that of the switch, depending on the PC board's material, size, thickness, etc. The above-stated conditions shall also apply to switch surface temperatures.

(2) Soldering conditions differ depending on reflow soldering machines. Prior verification of soldering condition is highly recommended.

**Reference for Hand Soldering**

Tip temperature	350±5°C
Soldering time	3s max.
No. of solders	1 time

**Notes are common to this series/models.**

1. This site catalog shows only outline specifications. When using the products, please obtain formal specifications for supply.
2. 4-directional operating force and travel are measured at 4.3mm height from the bottom of the switch.
3. Please place purchase orders for taping products per minimum order unit (1 reel or a case).